

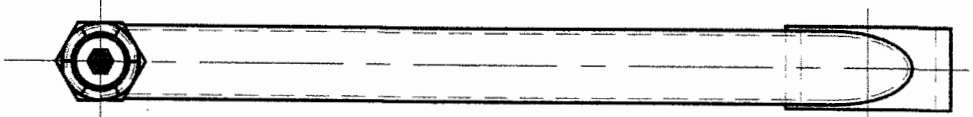
Part # 34-XXX-2

R2.500

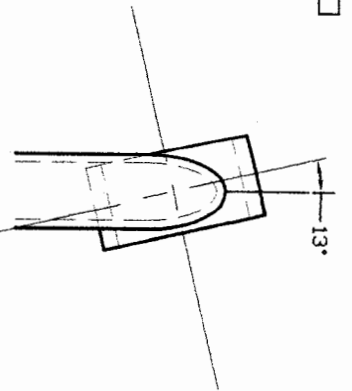
'B'

'A'

Collar Straight



Collar Tipped



'A' Center Distance _____
 'B' = Bolt Center Distance _____

- Ball Bearings
- Aluminum
- Steel
- Cross Shaft
- Bushings

MATERIAL

OUT-PACE RACING PRODUCTS
 A-Frame Screw In Collar
 Request Form

ZONE		REV		DESCRIPTION		DATE		APPROVED		SCALE		Drawn GFC 3 Dec. 2015		SHEET	
REVISIONS															
										SIZE	FSCM NO.	PART NO.	REV		